



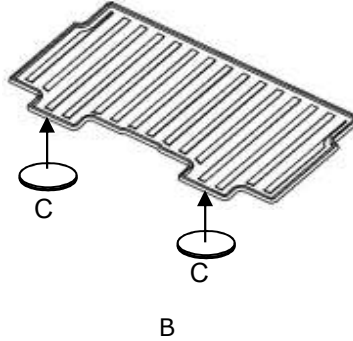
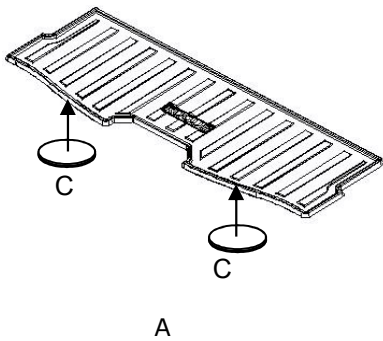
GENUINE PARTS

INSTALLATION INSTRUCTIONS

DESCRIPTION:	Cargo Area Protector
APPLICATION:	Rogue Second Row
PART NUMBER:	999C3 G3000 (Black) 999C3 G3001 (Beige)

KIT CONTENTS:

Item	Qty.	Part Description
A	1	Cargo Area Protector (Rear)
B	1	Cargo Area Protector (Front)
C	4	Hook and Loop Adapter (comes attached to underside of protector)
D	1	Installation Instruction Replacement Template



TOOLS REQUIRED:

- N/A

PRE-INSTALLATION WARNINGS, CAUTIONS, CRITICAL STEPS, and NOTES:

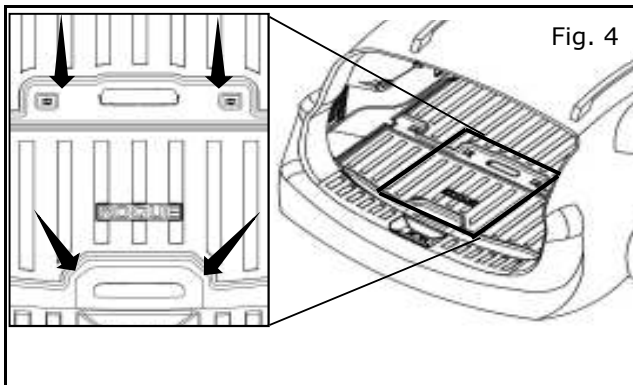
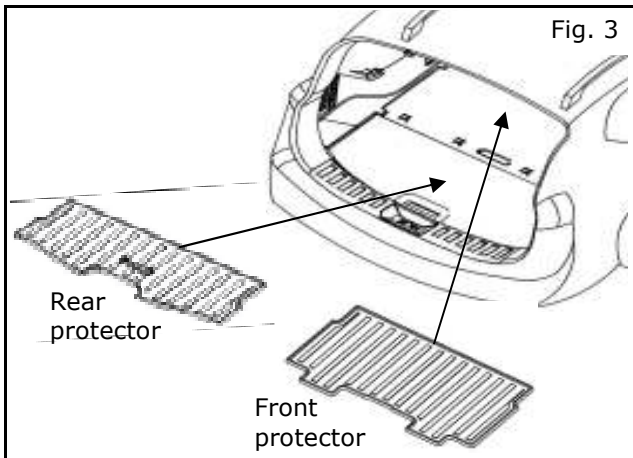
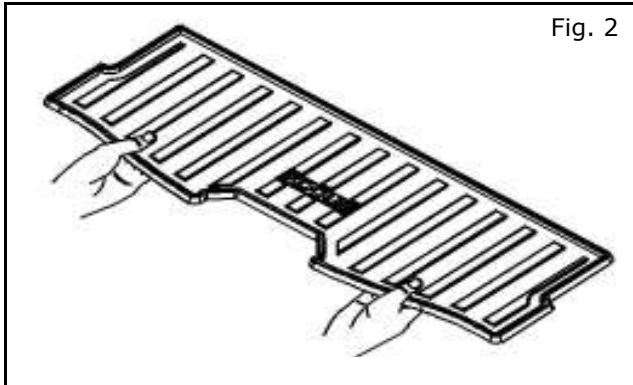
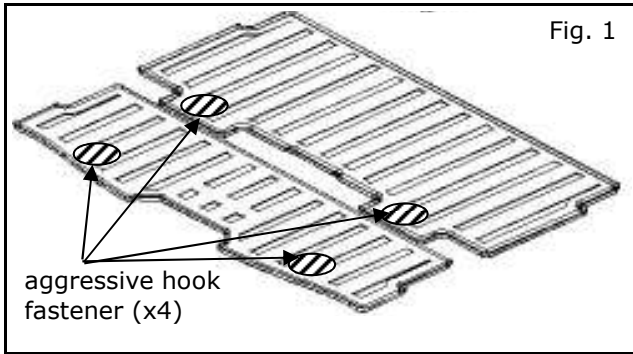
- To maintain luster of your protector, clean with a cloth as required using soap and water.

Note: Protector is equipped with very aggressive hook fasteners on underside. Do not place protector in the cargo area without due care. Hook fastener will affix itself to ANY carpet surface. Use care when placing into vehicle.

WARNING

- Protector is designed to transport normal cargo contents. Flammable or dangerous materials should not be transported in your vehicle at any time.

INSTALLATION PROCEDURE:

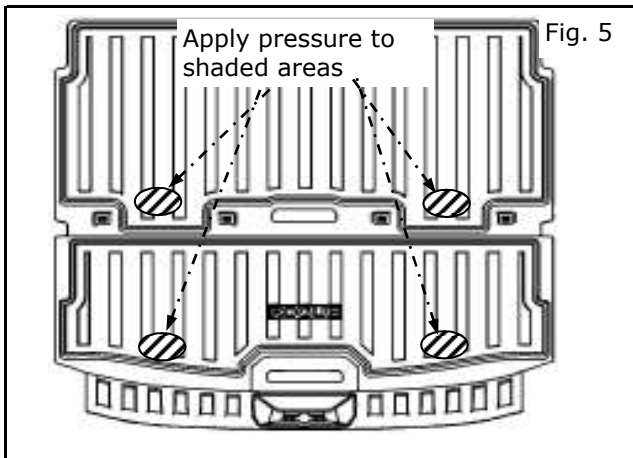


Note:

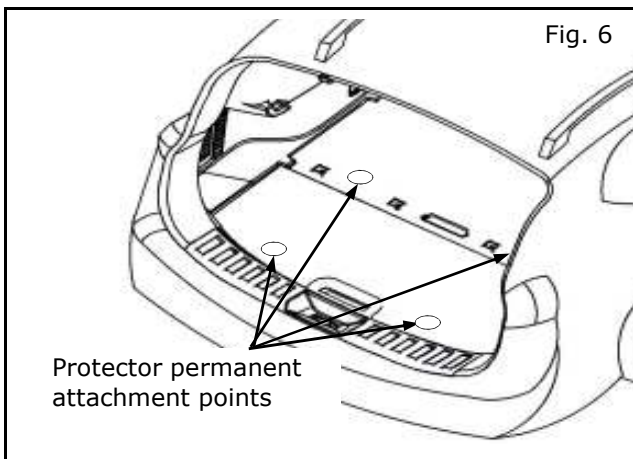
- Protector is equipped with aggressive hook fastener on underside.
- Use care when placing into vehicle.

1. Pick up each protector while covering aggressive hook fastener with fingers.
2. Place each protector onto rear cargo area while continuing to cover aggressive hook fasteners with fingers.
3. Align rear edge of each protector with handle and carefully place in rear cargo area.

INSTALLATION PROCEDURE:



4. Apply pressure to shaded areas as shown to secure hook and loop fasteners.



5. When protector is removed from vehicle, 2" round hook/loop discs remain attached to load floor carpet.

Note: Do not remove adapters after they have been properly installed.